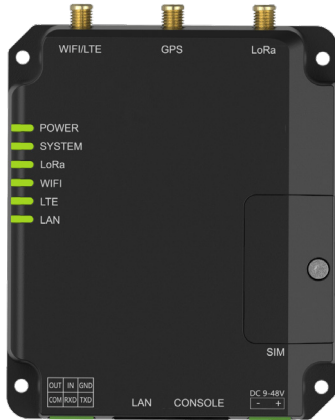


GATEWAY INDOOR

GI01 Technical Document



Description

GI01 is a LoRaWAN® gateway that allows the remote management system to interface bidirectionally with the IoT platform. The GI01 gateway allows you to create a LoRaWAN® network with low-power and long-range radio communication technology, that works on frequencies 868/915 Mhz - depending on the country of installation.

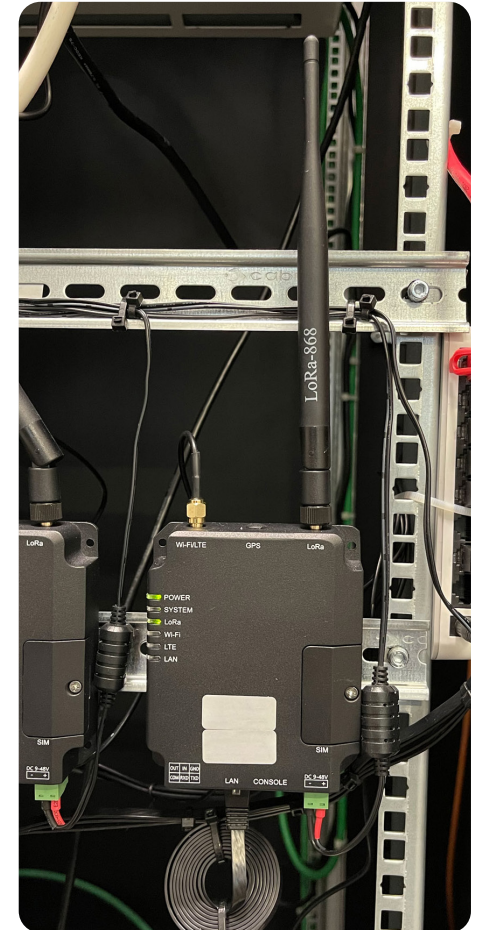
For backhaul communication with the IoT Platform GI01 uses the wired ethernet network or cellular technology (3G or LTE) with the ability to manage up to two SIMs. In the case of cellular network monitoring, the use of a SIM card provided by a mobile telephone operator is required. The device includes two antennas, one LoRa and one cellular. The cellular antenna can be positioned near the gateway, offering the possibility of obtaining the best possible solution. It could also be positioned outside the electrical panel in order to improve the transmission.

The device is protected by a solid aluminum shell and can be installed on a DIN bar, fixed to the wall or supported by a panel.

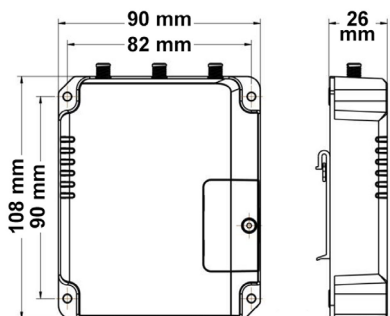
It is designed to operate in the temperature range -40~+70 C and has IP30 degree of protection.

GI01 complies with the regulations and has the CE and FCC mark.

Equipped with QUICK RECOGNITION system that, through the use of LED lights, allows user to verify the functionality of the device even in the absence of the platform access or connectivity.



Device dimension



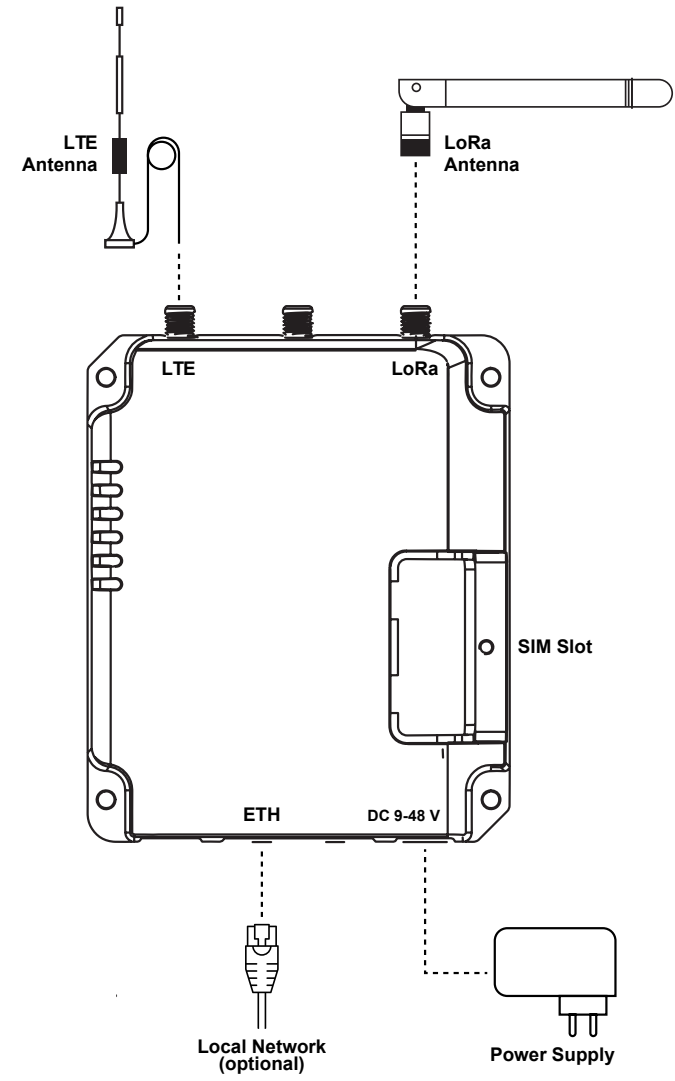
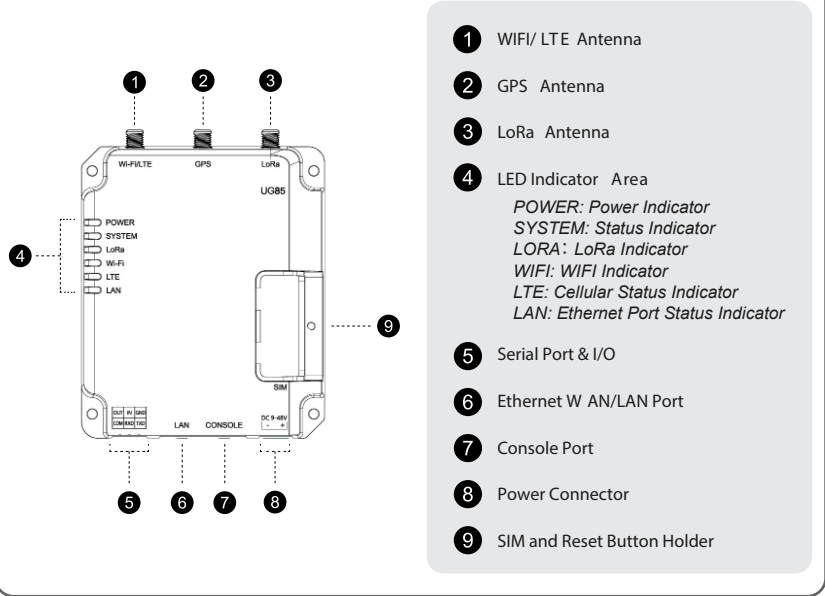
Device info

Model	Frequency Plan	Cellular Interface	Channels	Product Code
GI01 (EU)	EU868	✓	8	based on project request
GI01 (AS)	AS923	✓	8	based on project request

CONNECTION SCHEME

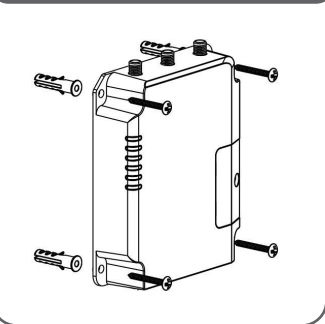
GI01
Technical Document

Device Description



Device Mounting

Wall



Device Mounting

Din Rail

