

METERING MODEM

LoRaWAN OTAA
Technical Document



Description

MET radio device for remote reading of energy consumption, built to provide a complete suite of features that guarantee a continuous performance monitoring of the system, in turn allowing to implement logics that make continuous improvements.

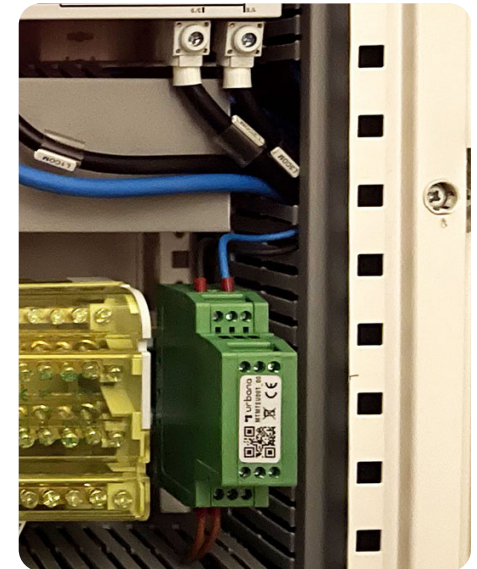
The device allows the reading of consumption from energy meters (single-phase or three-phase) and/ or flow (water, gas). Met has an RS485 interface with Modbus RTU protocol for communication with the energy meter and two inputs for interface with pulse meters. Using the URBANA DEVICE TOOLKIT software and the EASYCONF firmware module, you can configure the desired pulse interfaces, RS485 interface and Modbus registers.

The device monitors the correct interfacing with the external meter via RS485 interface and periodically provides the data related to resource consumption, according to the parameters defined in the configuration phase.

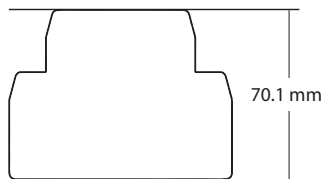
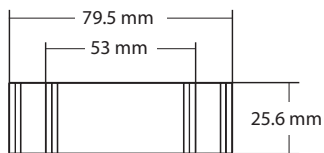
It is designed to be installed inside electrical panels with din bar.
The radio communication interface follows the standard LoRaWAN® 1.0.3 (class C), which is a low-powered and long-ranged communication technology. The LoRaWAN® technology provides the best in class radio communication performance in terms of reliability, scalability and overcoming obstacles with low energy consumption.
MET is designed to operate in the temperature range -30~+85 C and has IP20 degree of protection.

It complies with EN 55024:2010-11, EN 55024/A1:2015-06, EN 60950-1:2006-04, EN 60950-2:2006-04, EN 55032:2015-07, EN 61000-3-3: 2013-08, ETSI 301 489-1:2017-02.

The device allows automatic commissioning via the URBANA TOOLKIT mobile application, available on the Apple App Store and Google Play Store, with easy-to-use QUICKSCAN procedures. The programming of the functions is done through the URBANA EFFICIENCY PLATFORM.



Device dimension

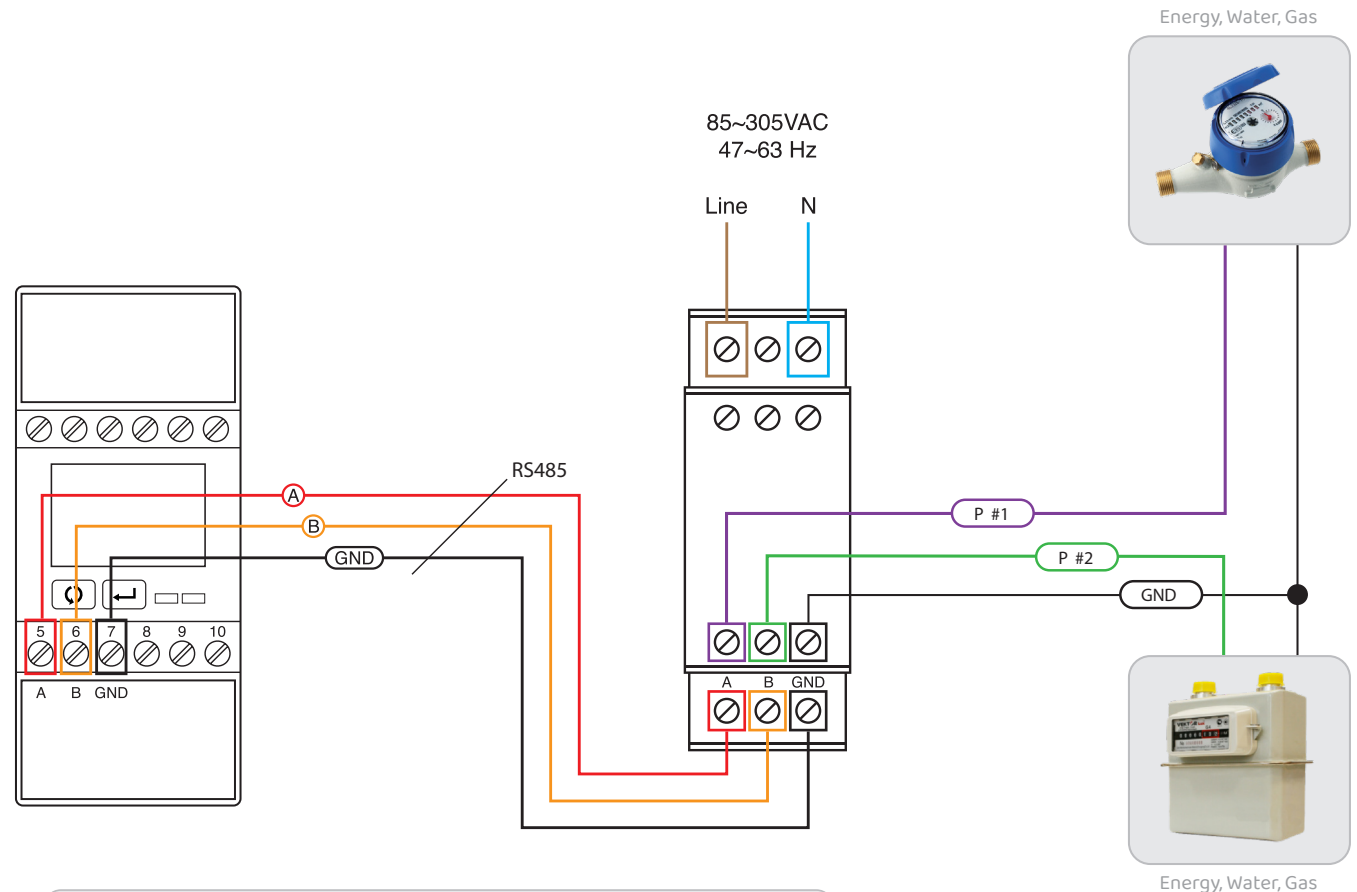
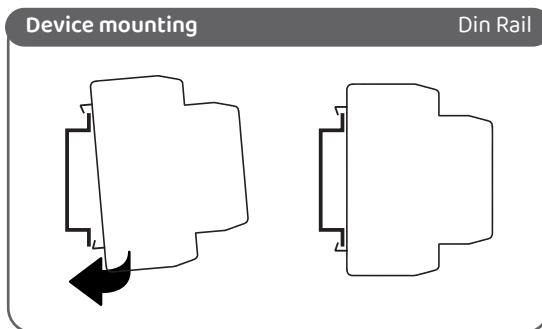
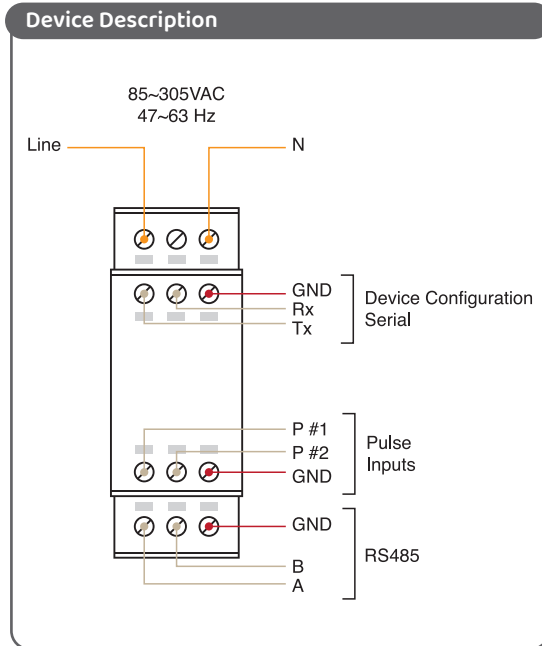


Device info

Model	External Energy Meter Type	External Energy Meter Communication	Number of pulse inputs	Mounting	Product Code
MTMT	Three-phase	Modbus RTU over RS485	2	DIN Rail	based on project request
MTMD	Mono-phase	Modbus RTU over RS485	2	DIN Rail	based on project request

CONNECTION SCHEMA

Metering Modem
Technical Document



Note:
The evaluation of the use or not of termination resistors for RS485 bus is left to the project manager/installer.