

RETROFITTER

RFT0/RFT1 Technical Document



Description

RFT Group Radio Light Remote Management Device, provides a complete suite of features that ensure a continuous & smooth performance of the system which in turn allow to implement logics that make continuous improvements.

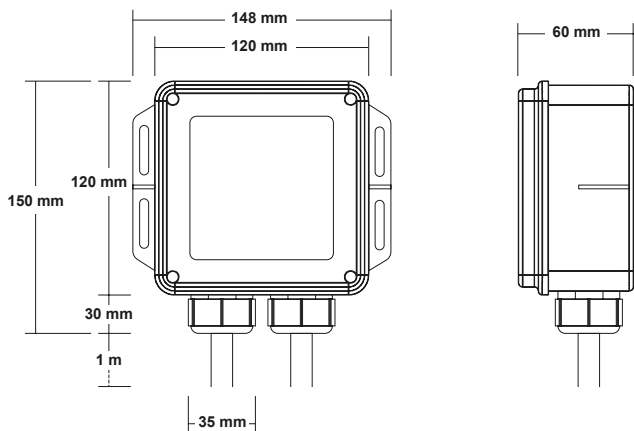
The EMODE control logic ensures essential functionality even in the absence of temporary connectivity. The device is able to manage up to 20 lighting fixtures simultaneously through the Dali interface, applying to each of them the same lighting configuration (dimming level). It is also possible to control in on/off mode a very high number of lighting fixtures through the use of teleporters.

RFT Group implements the management of weekly dimming profiles, supporting up to 16 daily dimming points. The device is equipped with a RTC (Real Time Clock) that ensures the updating of the internal clock necessary for the execution of dimming profiles. The ASTROCLOCK feature, if activated, allows the daily dimming profile to be automatically adjusted to the change in the time of sunrise and sunset depending on the coordinates of the installation site.

The device manages electrical parameters such as voltage, current and power factor via an internal meter, periodically providing data on electricity consumption, dimming, time and cycles of lighting commands and internal temperature of the device. Communication with the lighting fixtures is via DALI 1.0 or 0-10V protocol.

RFT Group can be installed on the wall or inside electrical panels using the fixing slots that allow the use of flexible drilling positionings. The radio communication interface follows the standard LoRaWAN® 1.0.3 (class C), low-powered and long-ranged communication technology. The LoRaWAN® technology provides the best-in-class radio communication performance in terms of reliability, scalability and overcoming obstacles with low energy consumption.

Device dimension



The device is designed to operate even in critical environmental conditions, with operating temperature range -40~+70 C and IP65 degree of protection. It complies with EN 55024:2010-11, EN 55024/A1:2015-06, EN 60950-1:2006-04, EN 60950-22:2006-04, EN 55032:2015-07, EN 61000-3-3: 2013-08, ETSI 301 489-1:2017-02.

The device allows automatic commissioning via the URBANA TOOLKIT mobile application, available on the Apple App Store and Google Play Store, with easy-to-use QUICKSCAN procedures. The programming of the functions is done through the URBANA EFFICIENCY PLATFORM.

Device Info

Model	Dali Interface	0-10V Interface	Internal meter	Product code
RFT0	✓	✗	✓	based on project request
RFT1	✗	✓	✓	based on project request

CONNECTION SCHEME

RFT0/RFT1

Technical Document

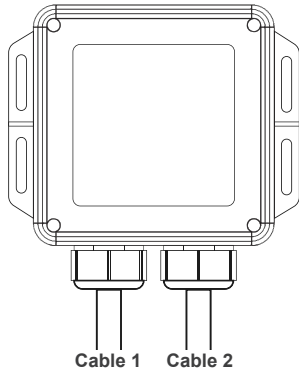
Device description

Cable 1 3P

Blue	N-IN
Brown	L-IN
Green/Yellow	HEART

Cable 2 5P

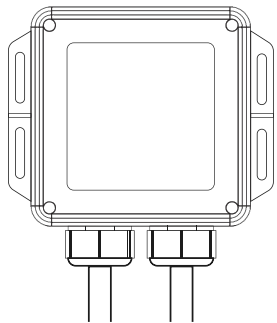
Blue	N-OUT
Brown	L-OUT
Green/Yellow	HEART
Black	DA*/DIM**
Grey	DA*/DIM**



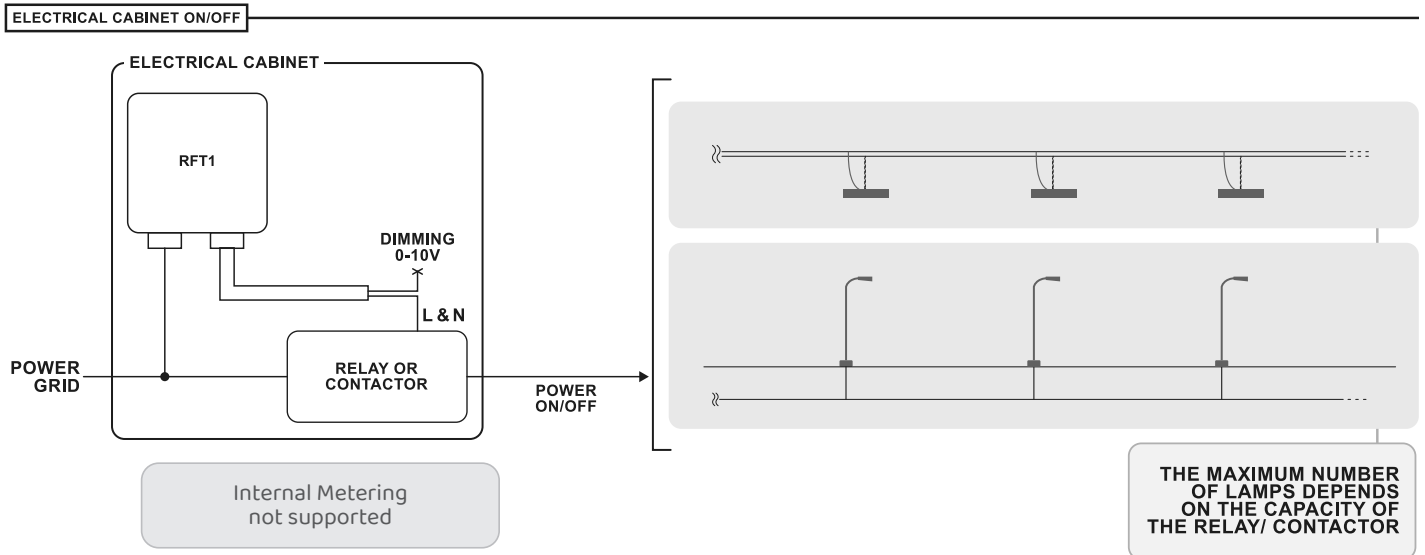
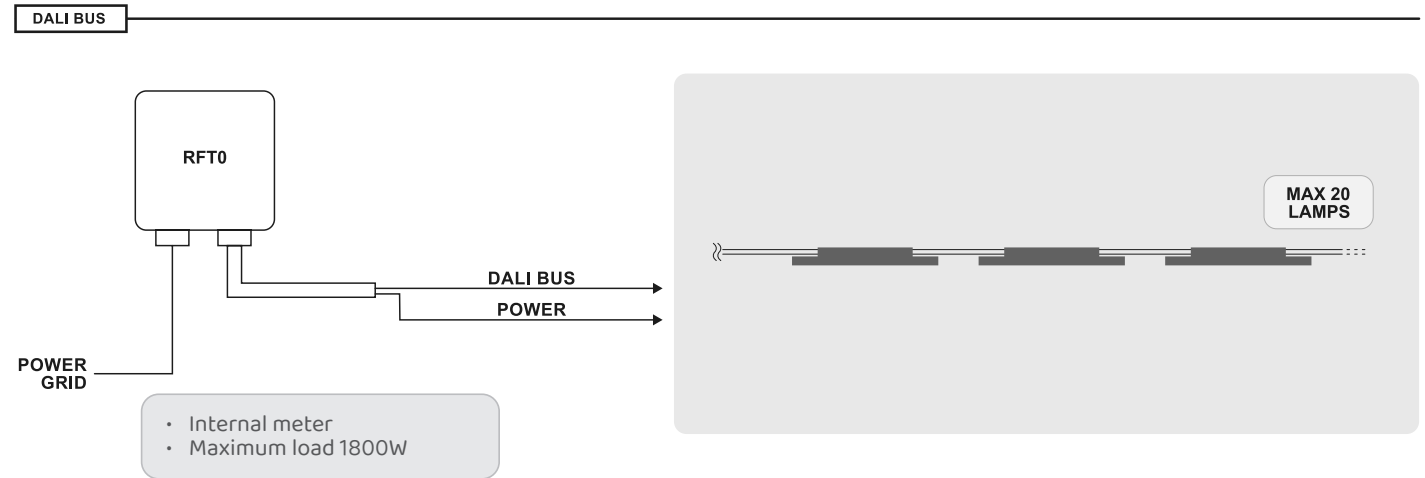
Cable 1: ~1m
Cable 2: ~1m

* = RFT0 ** = RFT1

Device mounting



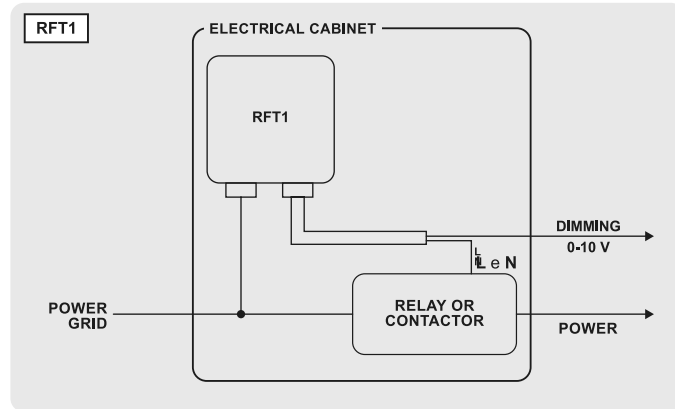
- Wall
- Pole using bracket (not supplied)



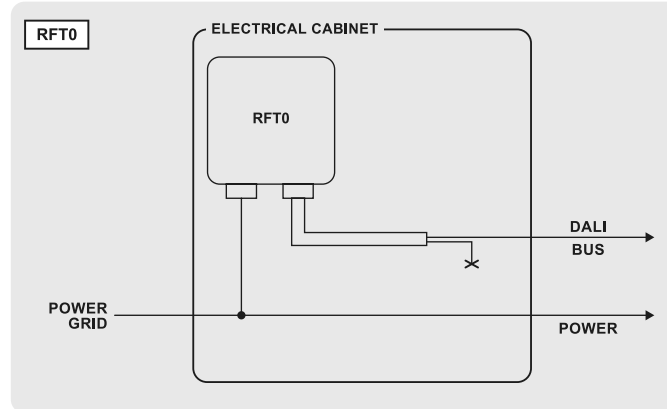
CONNECTION SCHEME

RFT0/RFT1
Technical Document

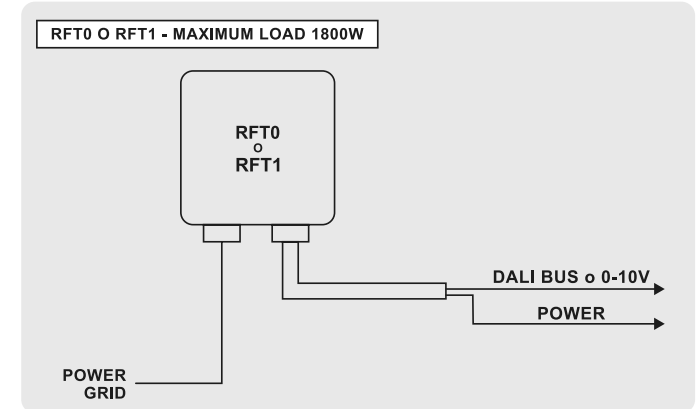
TOWER



Internal Metering
not supported



Internal Metering
not supported



- Internal meter
- RFT0: Maximum load 1800W
- RFT1: Maximum load 350W

