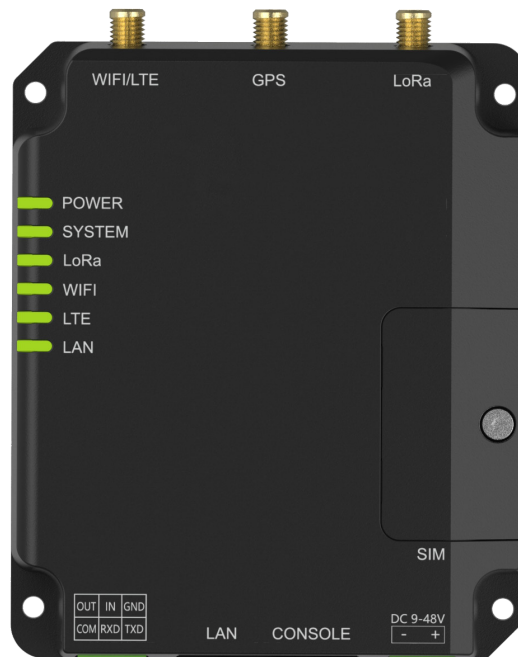


v. 1.0.0
DATASHEET

GATEWAY INDOOR



Born to be smart

Urbana Gateway Indoor is a Plug&Play device for IoT applications. The device incorporates multifunctional interfaces which are able to connect a wide range of devices to Urbana IoT Platform.

Urbana Gateway is a plug-and-play device for integrating any sensor and actuator into the Urbana IoT Platform.

Connect any sensor and actuator using world class technologies

The device deploys LoRa®

radio technology for last mile communication. It can operate on 868/915 MHz frequencies with coverage radius up to 5 Km for indoor scenarios.

LoRa® technology provides the highest performances for radio communication in terms of reliability, scalability and obstacles penetration with low power consumption.

The maximum power consumption is 10 dBm with 153 dB of link budget and high sensitivity of -140 dBm.

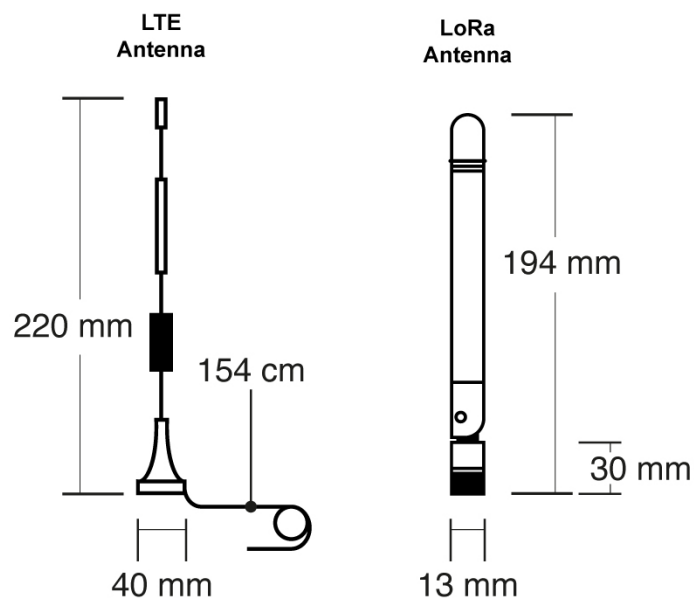
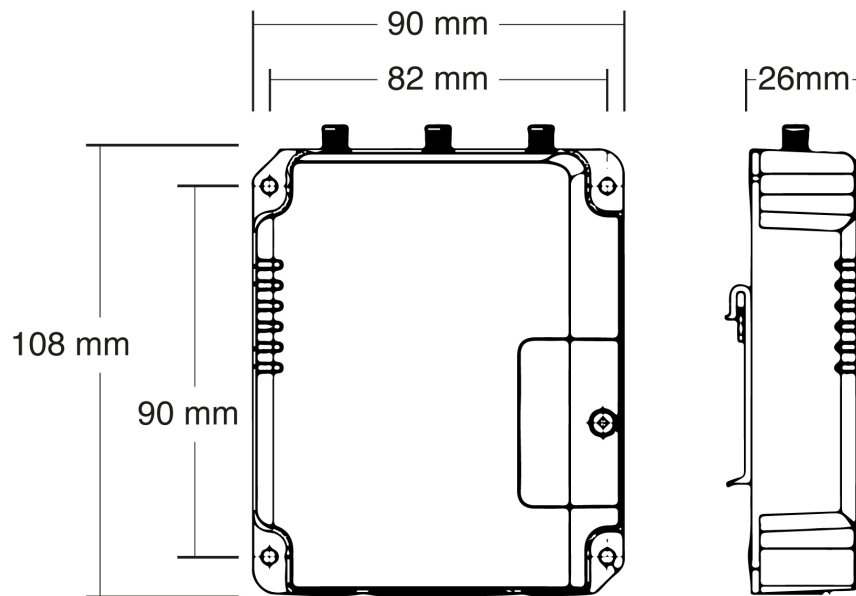
Multi standard device

Connectivity has never been so simple. Thanks to the several interfaces used into Urbana Gateway Indoor, you can easily connect your IoT solutions in a while.

Real-time optimization through Urbana IoT Platform

All supervised devices can be controller in real-time.

DEVICE DIMENSION



TECHNICAL SPECIFICATION

MECHANICAL

Housing:	Solid Case
Material:	Alluminium
Dimension (mm):	108 x 90 x 26 mm
IP:	IP30
Mounting:	Desktop, Wall or DIN Rail Mounting

HARDWARE

CPU:	800 MHz, 64-bit ARM Cortex-A53
Memory:	512 MB DDR3 RAM
Flash:	8 GB eMMC

ELECTRICAL

Input Voltage:	9 ~ 48 VDC
Power Input Connector:	2-pin with 5.08 mm terminal block
Power Consumption:	Typical 2.3 W, Max 6.5 W

ENVIROMENTAL

Operating Temperature:	- 40°C to + 70°C Reduce Cellular Performance Above 60 °C
Storage Temperature:	- 40°C to + 85°C
Operating Relative Humidity (max):	5% - 95% (non - condensing) at 25°C
Certification:	CE, RoHS
Ethernet Isolation:	1,5 kV RMS

LORAWAN® INTERFACE

Connector:	1 × 50Ω SMA (Female)
Channel:	8
Frequency Bands:	Supports EU 863-870, US 902-928, EU 433, AU 915-928, CN 470-510, IN 865, KR920-923 Band
Sensitivity:	-140 dBm Sensitivity @292bps
Output Power (Max):	27 dBm (max)

ETHERNET INTERFACE

Ports:	1×RJ-45
Physical Layer:	10/100/1000 Base-T (IEEE802.3)
Data Rate:	10/100/1000 Mbps (Auto-Sensing)
Interface:	Auto MDI/MDIX
Mode:	Full or Half Duplex (Auto-Sensing)

CELLULAR INTERFACE

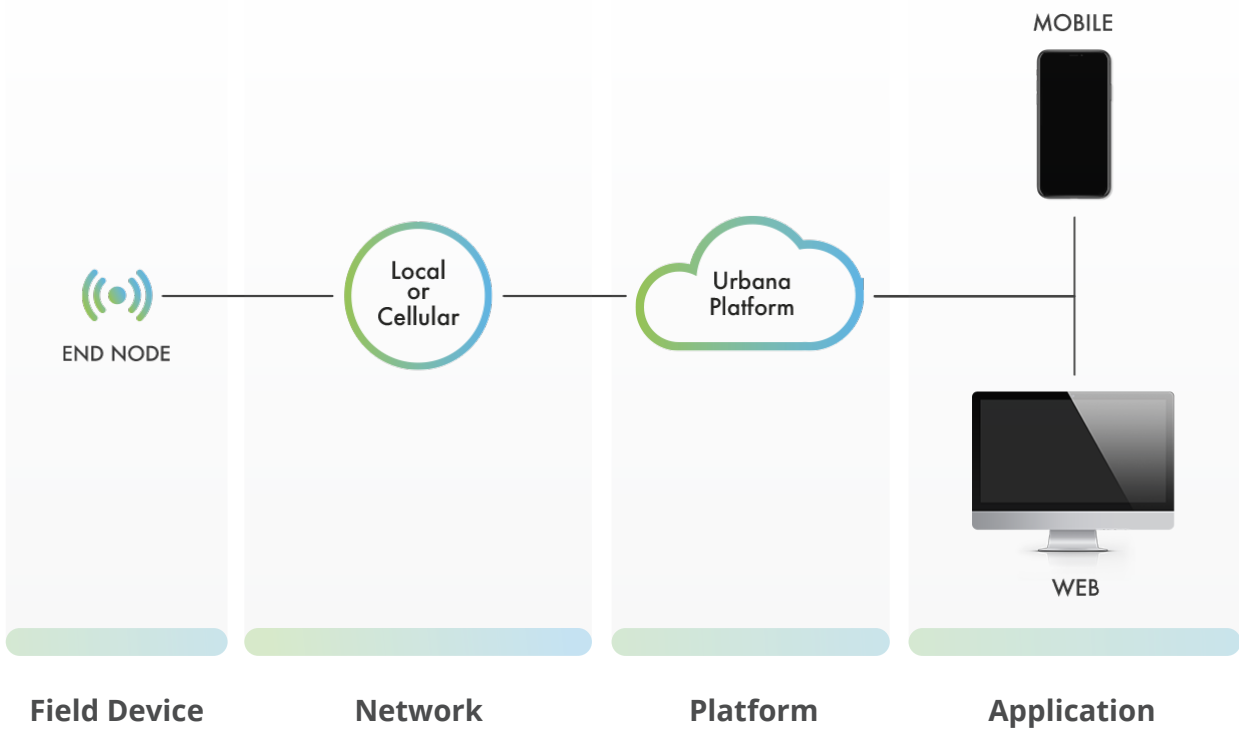
Connector:	1 × 50Ω SMA (Female)
Sim Slots:	2

COMPLIANCES

Council Directive	2014/53/EU
--------------------------	------------

URBANA IoT PLATFORM

Urbana platform is designed to provide end-to-end IoT solutions from hardware to software. The core structure of the platform is based on a scalable distributed and containerised infrastructure maintaining the requirements of clients to scale up whenever needed. The tech stack used in Urbana allows us to have no restriction based on number of devices, features, users and availability. With use of these highly scalable and available databases, Urbana IoT Platform is able to provide advanced reporting and fallback mechanism to provide high level of reliability. One of the most important components of the Urbana IoT Platform is the MQTT broker (server). The MQTT layer is the gate that connects the cloud-based part of the infrastructure to the local field network of devices. It plays a critical role both in terms of security and scalability but also in terms of interoperability. Urbana infrastructure can interface with any device compliant with LoRaWAN® network protocol as standardized by the LoRa Alliance®. Urbana Smart Solutions, being an end-to-end provider, have in-house LoRaWAN® gateways readily for the clients if needed, which are plug and play compliant with all the Urbana devices.



- EFFICIENCY **PLATFORM**
- + EFFICIENCY **LIGHTING**
- + EFFICIENCY **METERING**
- + EFFICIENCY **PARKING**
- + EFFICIENCY **MAINTENANCE**
- + APP **URBANA TOOLKIT**

Gateway Indoor - GI01
Datasheet

CONTACT US

info@urbanasmart.com
urbanasmart.com



EUROPE

Italy

Via Bruno Maderna 7
30174 Mestre
Venice - Italy
Tel. +39 041 2689294

Germany

Wilhelm-Wagenfeld-Str. 16
80807 Monaco
Germany
Tel. +49 089 90 421 50 60

ASIA

Singapore

6 Shenton Way # 22-00 OUE
Downtown 068809
Tel : (+65) 6562255055
Fax : (+65) 6562255303